

SANTOS



OVERVIEW

Movie nights at home with family and friends are infinitely more comfortable on the Santos, sink into the expansive, deep, padded seating that offers plenty of room. When you're ready for greater relaxation, recline effortlessly with the touch of a button. Why not pair with the Santos Modular to complete the look.

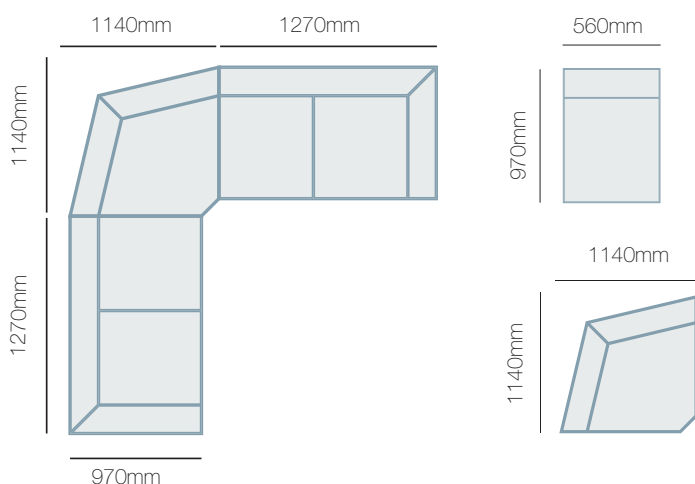
FEATURES & OPTIONS

- Available in fabric and leather
- 2 Seater twin recliner with & without power available
- 3 Seater twin recliner with & without power available

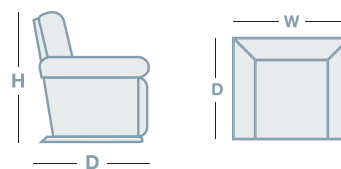
IN THE RANGE

	W	D	H
 Santos Power Recliner	810mm	970mm	1040mm
 Santos 2 Seater Twin Recliner	1400mm	970mm	1040mm
 Santos 3 Seater Twin Recliner	1950mm	970mm	1040mm
Santos Modular			1040mm
Santos Chaise Modular			1040mm

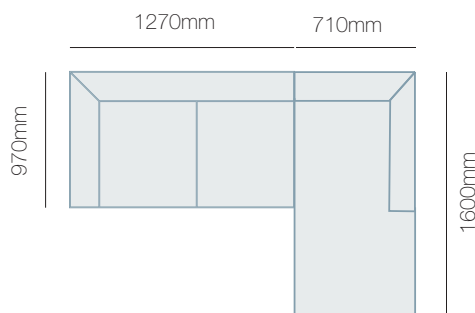
CORNER MODULAR



HOW TO MEASURE



Chaise Modular



CONNECT WITH US



www.la-z-boy.co.nz • www.la-z-boy.com.au

LA Z BOY
FURNITURE GALLERY®

Live life Comfortably.®

Coverings: Product image may depict coverings that are no longer available or differ from actual color. For current covering options please contact your local retailer.

Dimensions: Please note that variations in dimensions and appearance can occur. Construction differences in upholstery covering (fabric and leather) can cause variances in dimensions. All dimensions are shown in millimeters. Measurements quoted are a guide only. Please confirm details with your local retailer before ordering.